

GENERAL INFORMATION

1988

CRT 10"

A23JTL90X

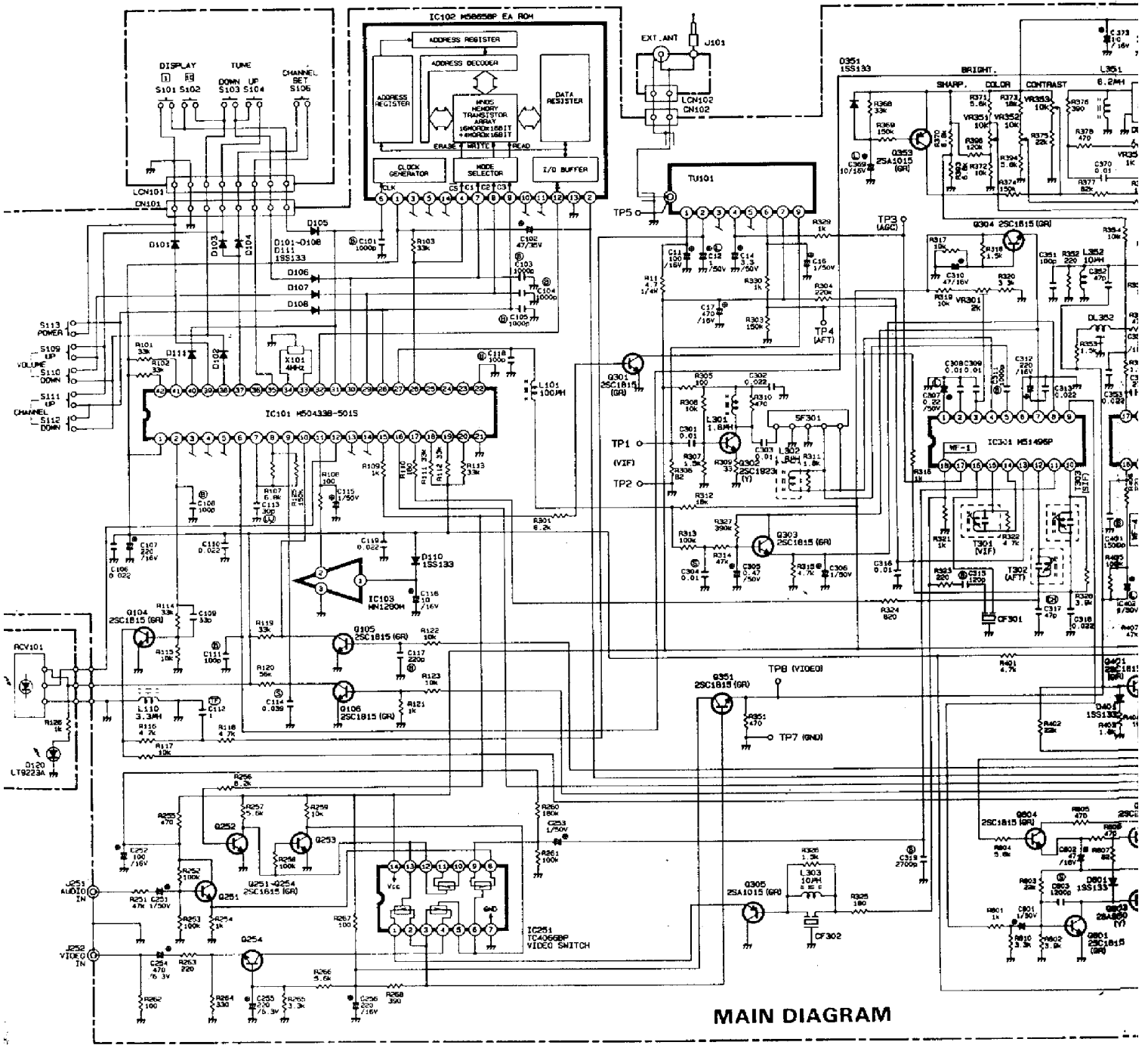


WF-1.45Vp-p(H)

WF-2.0.26Vp-p(H)

WF-3.0.43Vp-p(H)

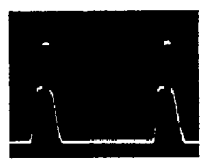
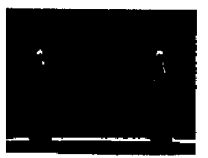
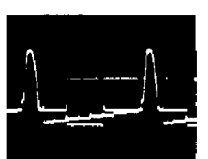
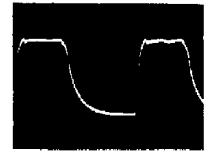
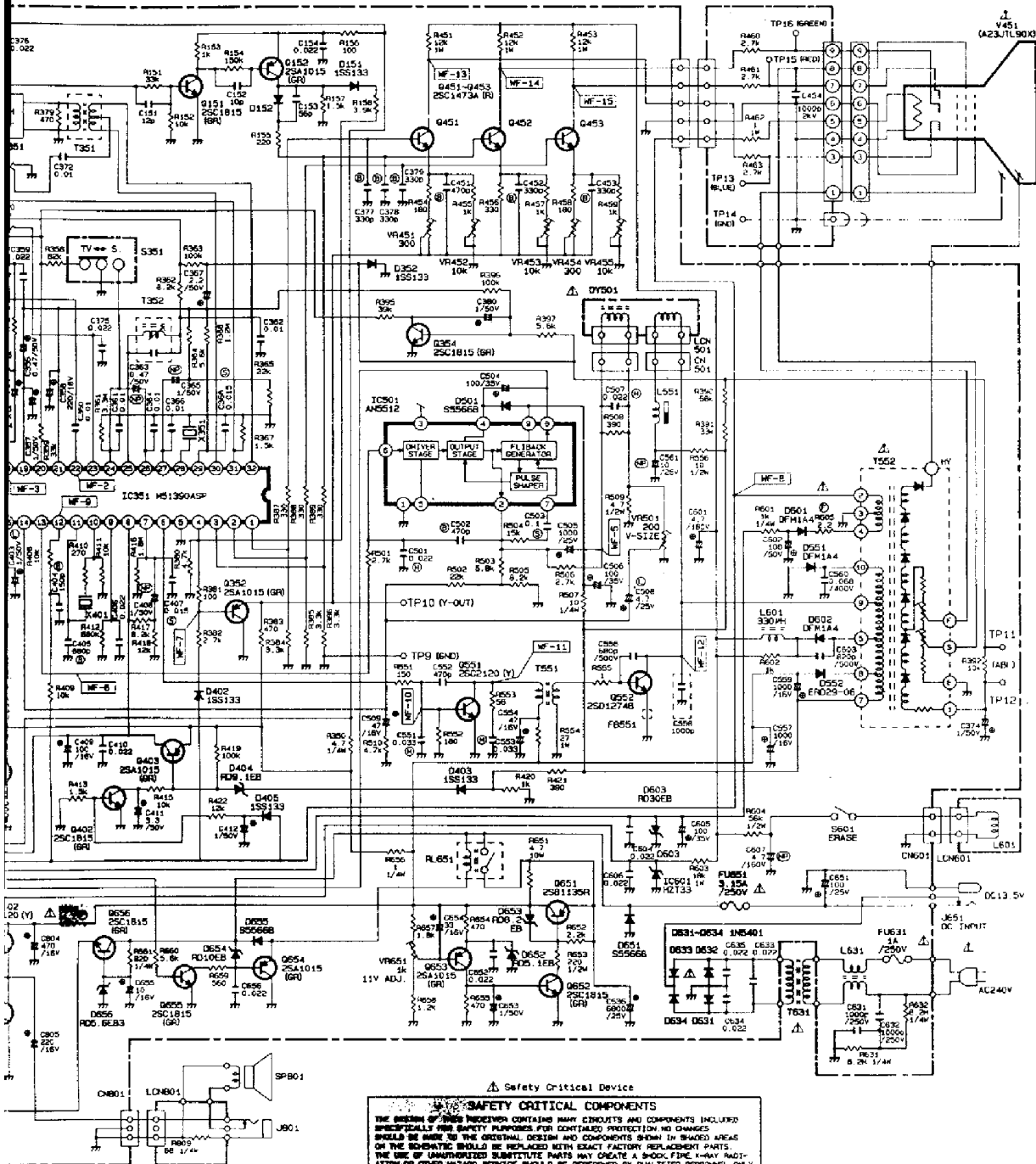
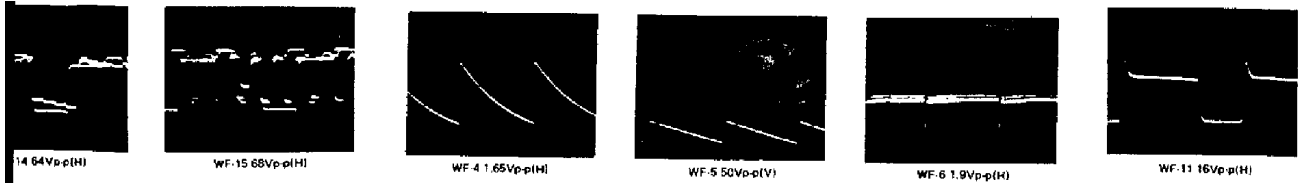
WF-13.70Vp-p(H)



MAIN DIAGRAM

IC101	IC102	IC301	TU101
Terminal No.	Terminal No.	Terminal No.	Terminal No.
1: 5.16 2: 4.34 3: 0 4: 0 5: 0 6: 0 7: 0.5 8: 0.03 9: 4.4 10: 3.86 11: 5.02 12: 5.12 13: 0 14: 0	1: 5.13 2: 5.13 3: 3.16 4: 2.34 5: 0 6: 8.51 7: 4.66 8: 3.76 9: 3.55 10: 4.79 11: 5.13 12: 4.79 13: 4	1: 8.31 2: 6.30 3: 6.29 4: 5.46 5: 0 6: 0.9 7: 6.24 8: 10.75 9: 10.16 10: 8.74 11: 4.95 12: 0.73 13: 6	1: 10.78 2: 1.64 3: 4.25 4: 4.68 5: 10.67 6: 0 7: 0 8: 0 9: 0

IC101	IC102	IC301	TU101
Terminal No.	Terminal No.	Terminal No.	Terminal No.
15: 0 16: 0 17: 4.14 18: 0 19: 0 20: 0	15: 0 16: 0 17: 4.14 18: 0 19: 0 20: 0	15: 0 16: 0 17: 4.14 18: 0 19: 0 20: 0	10: 0 11: 0 12: 0 13: 0 14: 0



SAFETY CRITICAL COMPONENTS

THE DESIGN OF THIS RECEIVER CONTAINS MANY CIRCUITS AND COMPONENTS INCLUDED SPECIFICALLY FOR SAFETY PURPOSES FOR CONTINUED PROTECTION NO CHANGE SHOULD BE MADE TO THE ORIGINAL DESIGN AND COMPONENTS SHOWN IN SHADED AREAS OF THE SCHEMATIC SHOULD BE REPLACED WITH EXACT FACTORY REPLACEMENT PARTS. THE USE OF UNAUTHORIZED SUBSTITUTE PARTS MAY CREATE A SHOCKING HAZARD, RADIATION OR OTHER HAZARD. SERVICE SHOULD BE PERFORMED BY QUALIFIED PERSONNEL ONLY.

RELIABILITY AND PERFORMANCE

FOR CONTINUED RELIABILITY AND PERFORMANCE EXACT FACTORY REPLACEMENTS ARE REQUIRED FOR ALL OTHER PARTS REPLACED. IF A SUBSTITUTE MUST BE USED, BE SURE ITS QUALITY AND SPECIFICATIONS ARE IDENTICAL TO THE ORIGINAL PART.

15	16	17	18
4.53	2.67	4.22	3.45

15	16
6.17	8.92
31	32
6.76	3.24

0655	0601	0602	0603	0604
5.82	0.66	5.58	4.43	9.04
14.57	4.43	11.04	0	8.42
5.17	0	5.0	5.0	8.36

NOTES

WAVEFORMS SHOWN WERE PRODUCED USING A PATTERN GENERATOR WITH ITS CONTROL SET TO PRODUCE A COLOR BAR SIGNAL AND A WIDEBAND OSCILLOSCOPE WITH LOW CAPACITY PROBE TO PREVENT LOADING RECEIVER OPERATING CONTROLS WERE ADJUSTED TO PRODUCE A NORMAL PICTURE. OSCILLOSCOPE SWEEP WAS SET AT 10 NS FOR VERTICAL WAVEFORMS AND 20 NS FOR HORIZONTAL WAVEFORMS. PEAK-TO-PEAK VOLTAGES INDICATED MAY VARY DEPENDING ON CALIBRATION OF TEST EQUIPMENT, CHASSIS PARTS TOLERANCES AND CONTROL SETTINGS. ALL WAVEFORMS TAKEN WITH WIDEBAND OSCILLOSCOPE.

VOLTAGE AND WAVEFORMS ARE TAKEN WITH COLOR BAR SIGNAL GENERATOR APPLIED TO THE SET WAVEFORMS. THRU IS USE CHASSIS GROUND.