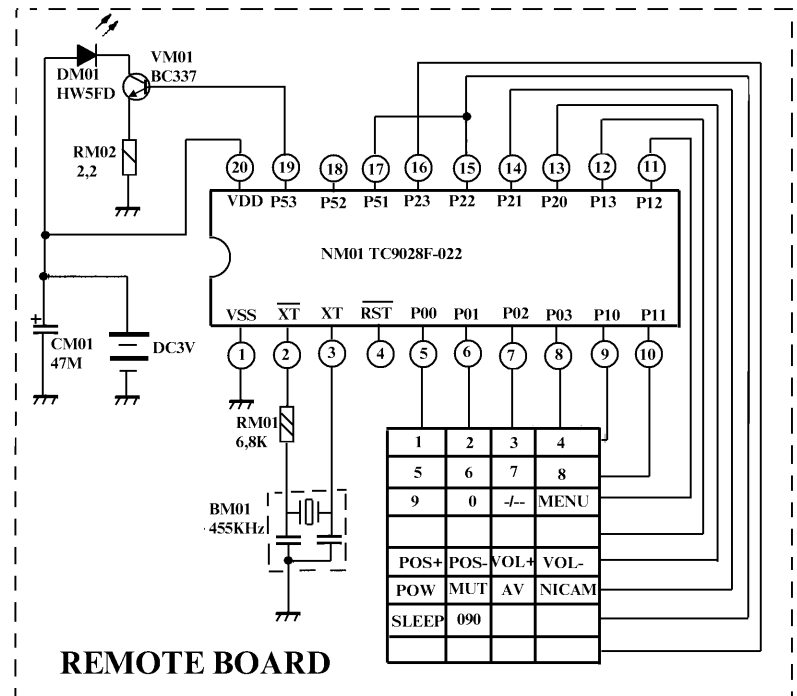


COMPONENTS IDENTIFIED BY THE Δ SYMBOL HAVE SPECIAL SAFETY CHARACTERISTIC

CIRCUITS ARE SUBJECT TO CHANGE WITHOUT NOTICE

- \perp HOT GND
- ∇ COLD GND

MODEL C1420
SCHEMATIC DIAGRAM



1	2	3	4
5	6	7	8
9	0	-	MENU
POS	POS	VOL	VOL
POW	MUT	AV	NICAM
SLEEP	090		