

FUNAI TV-2100A MK6

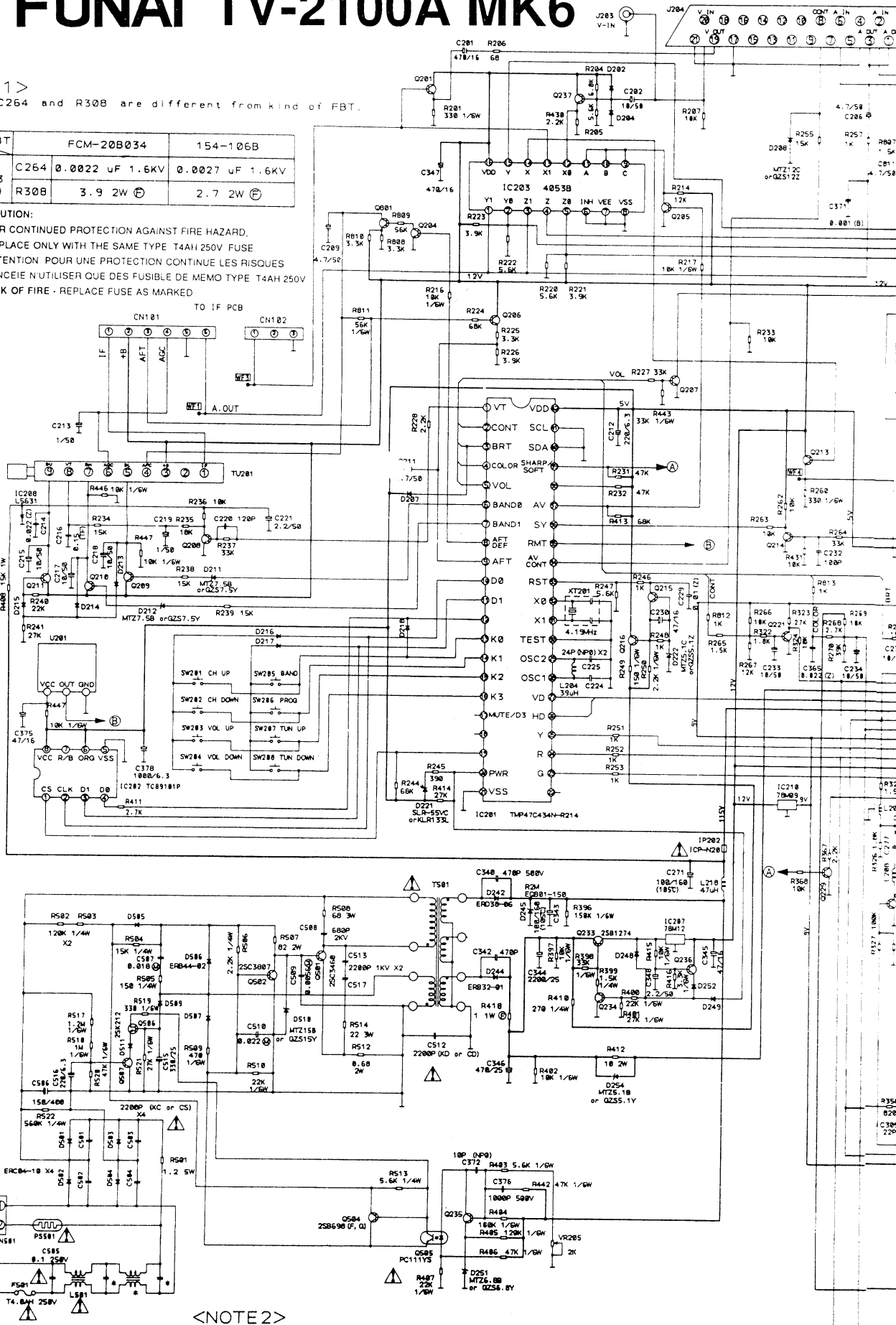
<NOTE 1>

Value of C264 and R308 are different from kind of FBT.

CRT	FBT	FCM-20B034	154-106B
A51KSV93 X02 (VM)	C264	0.0022 uF 1.6KV	0.0027 uF 1.6KV
	R308	3.9 2W	2.7 2W

CAUTION:

FOR CONTINUED PROTECTION AGAINST FIRE HAZARD,
REPLACE ONLY WITH THE SAME TYPE T4AH 250V FUSE
ATTENTION POUR UNE PROTECTION CONTINUE LES RISQUES
D'INCENDIE N'UTILISER QUE DES FUSIBLE DE MEMO TYPE T4AH 250V
RISK OF FIRE - REPLACE FUSE AS MARKED



<NOTE 2>

- 1.No indicated NPN type transistors are used KTC3199(GR), 2SC1740S (R, S), 2SC3331 (T, U), 2SC1685 (R, S) or 2SC1815 (GR) .
- 2.No indicated PNP type transistors are used KTA1267 (GR), 2SA933S (R, S), 2SA1318 (T, U), 2SA564 (R, S) or 2SA1015 (GR) .
- 3.No indicated diodes are used 1SS133 or 1SS176.